

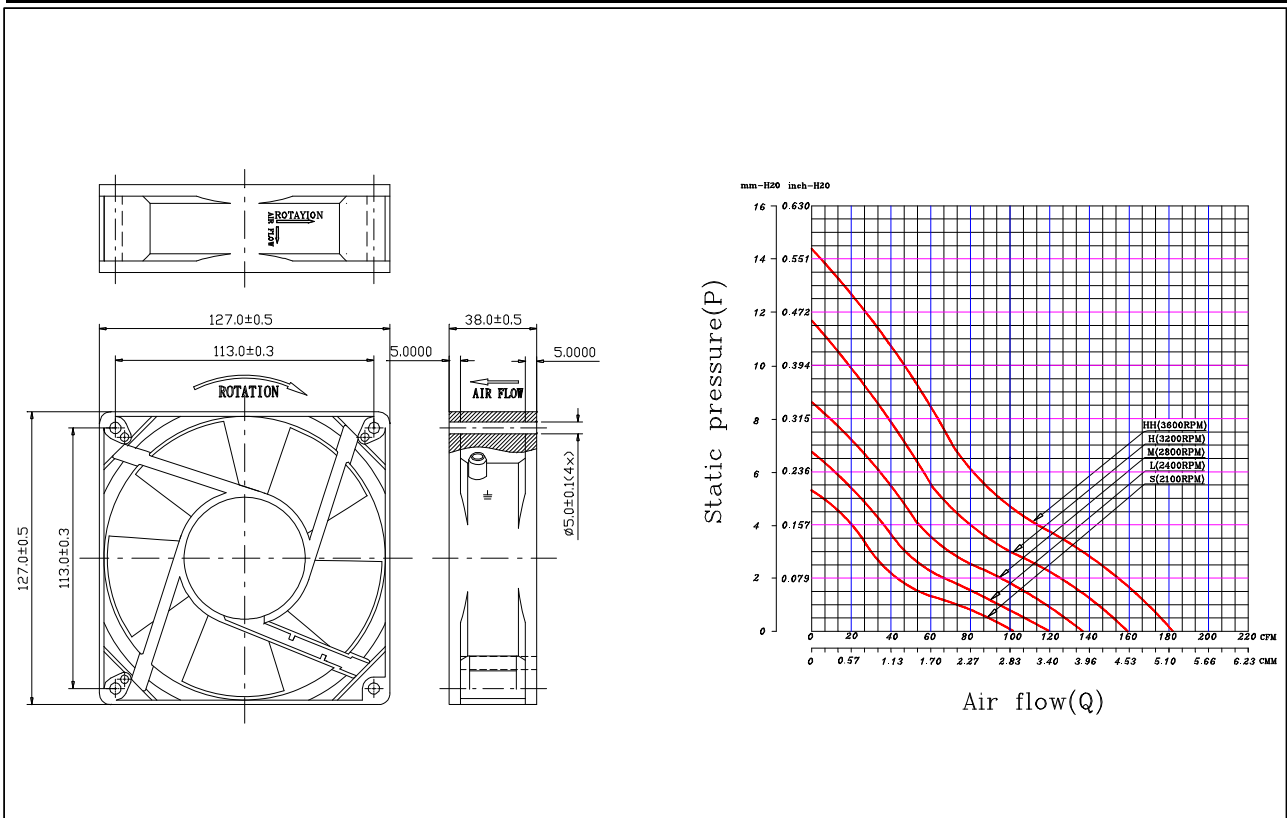
# DC BRUSHLESS FAN

## CC-12738 SERIES

### FEATURES

SIZE:	127x127x38 mm
BEARING TYPE:	BALL BEARING
IMPELLER:	PLASTIC WITH FIBER GLASS FILLED UL 94V-0
FRAME:	PLASTIC WITH FIBER GLASS FILLED UL 94V-0
WEIGHT:	350(g)

### PERFORMANCE & DIMENSIONS



Model No.	Bearing	Rated Voltage (VDC)	Air Flow (CFM)	Current (A)	Input Power (Watts)	Speed (RPM)	Noise Level (dBA)	Dimensions
								L×W×H (mm)
CC12738B24HH	2Ball	24	182.9	0.7	16.8	3600	55	127x127x38
CC12738B24H	2Ball	24	159.4	0.50	12.00	3200	51	
CC12738B12M	2Ball	12	135.9	0.67	8.04	2800	47	
CC12738B24M	2Ball	24	135.9	0.32	7.68	2800	47	
CC12738B12L	2Ball	12	119.9	0.42	5.04	2400	43	
CC12738B24L	2Ball	24	119.9	0.26	6.24	2400	43	