

DC BRUSHLESS FAN

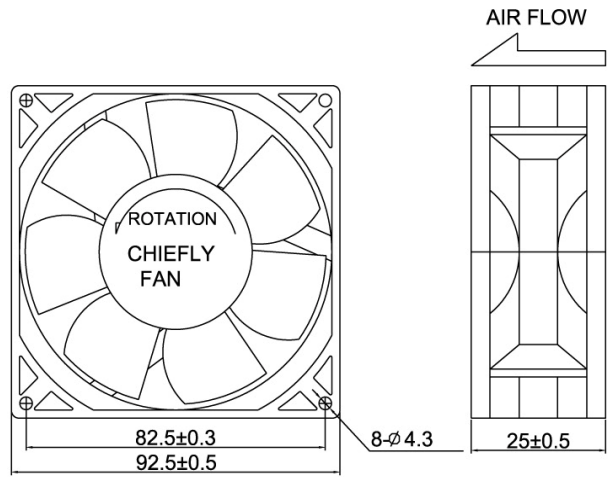
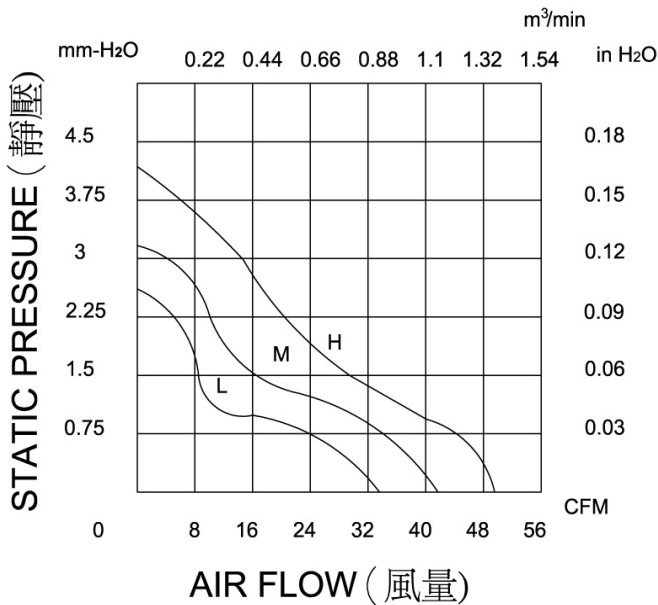


CC9225 SERIES

FEATURES

SIZE:	92x92x25 mm
BEARING TYPE:	BALL , SLEEVE & ONE BALL & ONE SLEEVE BEARING
IMPELLER:	PLASTIC WITH FIBER GLASS FILLED UL 94V-0
FRAME:	PLASTIC WITH FIBER GLASS FILLED UL 94V-0
WEIGHT:	85(g)

PERFORMANCE & DIMENSIONS



Model No.	Bearing	Rated Voltage (VAC)	Air Flow (CFM)	Current (A)	Input Power (Watts)	Speed (RPM)	Noise Level (dBA)	Dimensions
								LxWxH (mm)
CC 9225S12H	Sleeve	12	59	0.32	3.84	3000	36	92x92x25
CC 9225B12H	2Ball	12	59	0.32	3.84	3000	36	
CC 9225C12H	1B1S	12	59	0.32	3.84	3000	36	
CC 9225S24H	Sleeve	24	59	0.18	4.32	3000	36	
CC 9225B24H	2Ball	24	59	0.18	4.32	3000	36	
CC 9225C24H	1B1S	24	59	0.18	4.32	3000	36	
CC 9225S12M	Sleeve	12	51	0.20	2.40	2500	34	
CC 9225B12M	2Ball	12	51	0.20	2.40	2500	34	
CC 9225C12M	1B1S	12	51	0.20	2.40	2500	34	
CC 9225S24M	Sleeve	24	51	0.14	3.36	2500	34	
CC 9225B24M	2Ball	24	51	0.14	3.36	2500	34	
CC 9225C24M	1B1S	24	51	0.14	3.36	2500	34	
CC 9225S12L	Sleeve	12	41.5	0.16	1.92	2000	26	
CC 9225B12L	2Ball	12	41.5	0.16	1.92	2000	26	
CC 9225C12L	1B1S	12	41.5	0.16	1.92	2000	26	
CC 9225S24L	Sleeve	24	41.5	0.10	2.40	2000	26	
CC 9225B24L	2Ball	24	41.5	0.10	2.40	2000	26	
CC 9225C24L	1B1S	24	41.5	0.10	2.40	2000	26	