

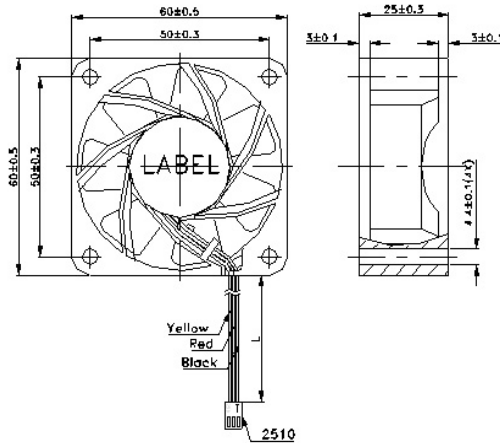
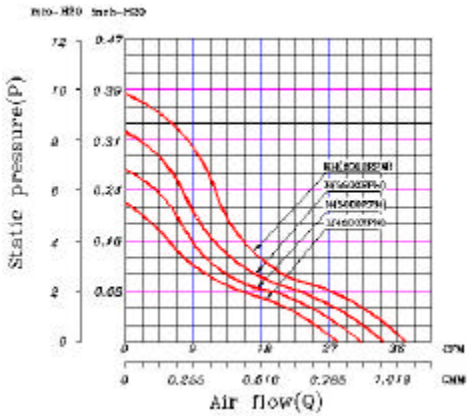
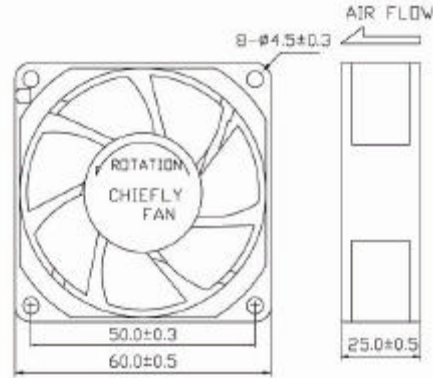
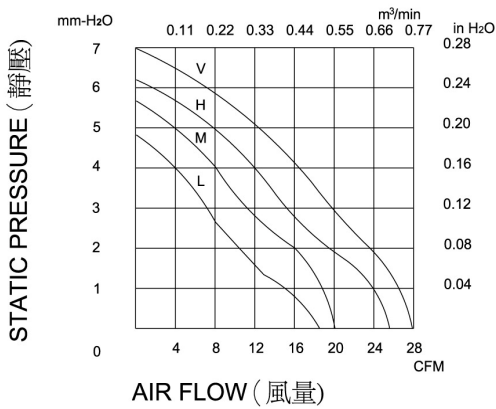
DC BRUSHLESS FAN

CC-6025 SERIES

FEATURES

SIZE:	60x60x25 mm
BEARING TYPE:	BALL , SLEEVE & ONE BALL & ONE SLEEVE BEARING
IMPELLER:	PLASTIC WITH FIBER GLASS FILLED UL 94V-0
FRAME:	PLASTIC WITH FIBER GLASS FILLED UL 94V-0
WEIGHT:	60(g)

PERFORMANCE & DIMENSIONS



Model No.	Bearing	Rated Voltage (VDC)	Air Flow (CFM)	Current (A)	Input Power (Watts)	Speed (RPM)	Noise Level (dBA)	Dimensions	
								LxWxH (mm)	(mm)
CC 6025X12V	Ceramic	12	37.50	0.55	6.60	6000	50.00	60x60x25	
CC 6025S12H	Sleeve	12	20.52	0.23	2.76	4500	33.60		
CC 6025B12H	2Ball	12	20.52	0.23	2.76	4500	33.60		
CC 6025C12H	1B1S	12	20.52	0.23	2.76	4500	33.60		
CC 6025X12H	Ceramic	12	34.12	0.45	5.40	5500	47.00		
CC 6025S24H	Sleeve	24	20.52	0.17	4.08	4500	33.60		
CC 6025B24H	2Ball	24	20.52	0.17	4.08	4500	33.60		
CC 6025C24H	1B1S	24	20.52	0.17	4.08	4500	33.60		
CC 6025S12M	Sleeve	12	17.60	0.20	2.40	4000	31.50		
CC 6025B12M	2Ball	12	17.60	0.20	2.40	4000	31.50		
CC 6025C12M	1B1S	12	17.60	0.20	2.40	4000	31.50		
CC 6025X12M	Ceramic	12	31.23	0.40	4.80	5000	45.00		
CC 6025S24M	Sleeve	24	17.60	0.13	3.12	4000	31.50		
CC 6025B24M	2Ball	24	17.60	0.13	3.12	4000	31.50		
CC 6025C24M	1B1S	24	17.60	0.13	3.12	4000	31.50		
CC 6025S12L	Sleeve	12	15.28	0.17	2.04	3500	27.40		
CC 6025B12L	2Ball	12	15.28	0.17	2.04	3500	27.40		
CC 6025C12L	1B1S	12	15.28	0.17	2.04	3500	27.40		
CC 6025X12L	Ceramic	12	27.95	0.35	4.20	4500	40.00		
CC 6025S24L	Sleeve	24	15.28	0.12	2.88	3500	27.40		
CC 6025B24L	2Ball	24	15.28	0.12	2.88	3500	27.40		
CC 6025C24L	1B1S	24	15.28	0.12	2.88	3500	27.40		