

DC BRUSHLESS FAN

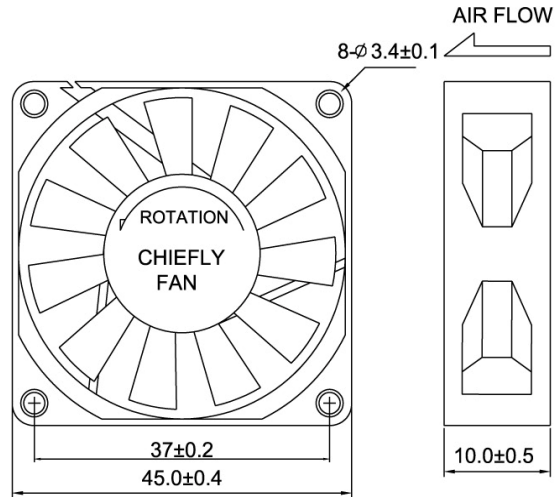
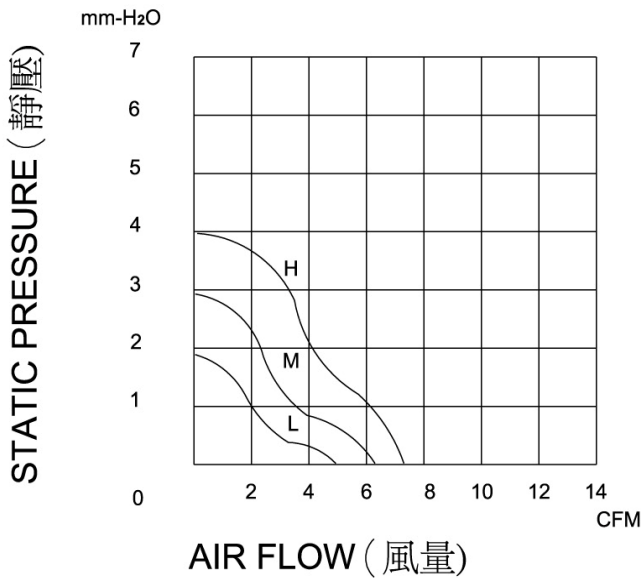


CC4510 SERIES

FEATURES

SIZE:	45x45x10 mm
BEARING TYPE:	BALL , SLEEVE & ONE BALL & ONE SLEEVE BEARING
IMPELLER:	PLASTIC WITH FIBER GLASS FILLED UL 94V-0
FRAME:	PLASTIC WITH FIBER GLASS FILLED UL 94V-0
WEIGHT:	18(g)

PERFORMANCE & DIMENSIONS



Model No.	Bearing	Rated Voltage (VAC)	Air Flow (CFM)	Current (A)	Input Power (Watts)	Speed (RPM)	Noise Level (dBA)	Dimensions	
								LxWxH (mm)	
CC 4510S12H	Sleeve	12	7.63	0.10	0.20	6000	32.46	45x45x10	
CC 4510B12H	2Ball	12	7.63	0.10	0.20	6000	32.46		
CC 4510C12H	1B1S	12	7.63	0.10	0.20	6000	32.46		
CC 4510S12M	Sleeve	12	6.31	0.09	0.10	5000	27.64		
CC 4510B12M	2Ball	12	6.31	0.09	0.10	5000	27.64		
CC 4510C12M	1B1S	12	6.31	0.09	0.10	5000	27.64		
CC 4510S12L	Sleeve	12	4.97	0.08	1.00	4000	22.66		
CC 4510B12L	2Ball	12	4.97	0.08	1.00	4000	22.66		
CC 4510C12L	1B1S	12	4.97	0.08	1.00	4000	22.66		