

DC BRUSHLESS FAN

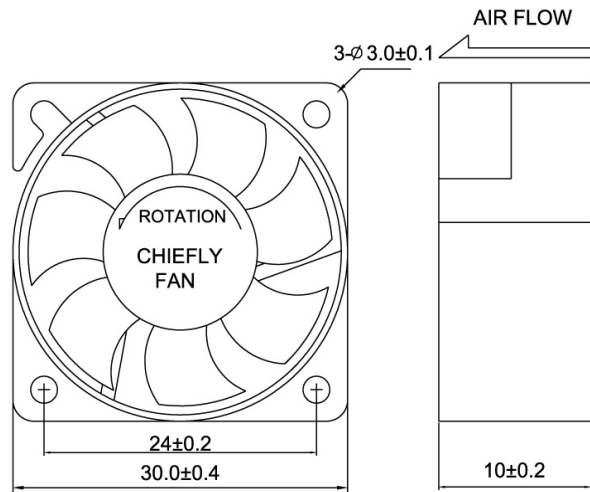
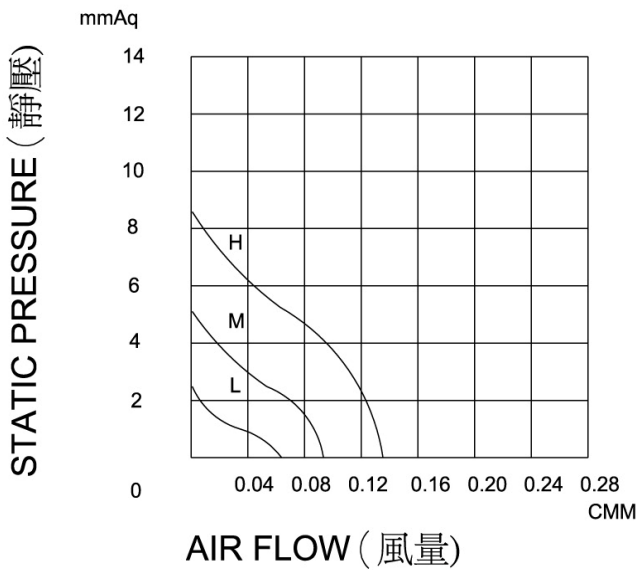


CC3010 SERIES

FEATURES

SIZE:	30×30×10 mm
BEARING TYPE:	BALL , SLEEVE & ONE BALL & ONE SLEEVE BEARING
IMPELLER:	PLASTIC WITH FIBER GLASS FILLED UL 94V-0
FRAME:	PLASTIC WITH FIBER GLASS FILLED UL 94V-0
WEIGHT:	6(g)

PERFORMANCE & DIMENSIONS



Model No.	Bearing	Rated Voltage (VAC)	Air Flow (CFM)	Current (A)	Input Power (Watts)	Speed (RPM)	Noise Level (dBA)	Dimensions	
								LxWxH (mm)	
CC 3010S(B)(C)3H	Sleeve	3.3	4.43	0.30	0.99	11000	29.70	30×30×10	
CC 3010S(B)(C)3H	2Ball	3.3	4.43	0.30	0.99	11000	29.70		
CC 3010S(B)(C)3H	1B1S	3.3	4.43	0.30	0.99	11000	29.70		
CC 3010S(B)(C)5H	Sleeve	5	4.43	0.20	1.00	11000	29.70		
CC 3010S(B)(C)5H	2Ball	5	4.43	0.20	1.00	11000	29.70		
CC 3010S(B)(C)5H	1B1S	5	4.43	0.20	1.00	11000	29.70		
CC 3010S(B)(C)12H	Sleeve	12	4.43	0.14	1.68	11000	29.70		
CC 3010S(B)(C)12H	2Ball	12	4.43	0.14	1.68	11000	29.70		
CC 3010S(B)(C)12H	1B1S	12	4.43	0.14	1.68	11000	29.70		
CC 3010S(B)(C)3M	Sleeve	3.3	3.30	0.24	0.79	8500	26.00		
CC 3010S(B)(C)3M	2Ball	3.3	3.30	0.24	0.79	8500	26.00		
CC 3010S(B)(C)3M	1B1S	3.3	3.30	0.24	0.79	8500	26.00		
CC 3010S(B)(C)5M	Sleeve	5	3.30	0.17	0.85	8500	26.00		
CC 3010S(B)(C)5M	2Ball	5	3.30	0.17	0.85	8500	26.00		
CC 3010S(B)(C)5M	1B1S	5	3.30	0.17	0.85	8500	26.00		
CC 3010S(B)(C)12M	Sleeve	12	3.30	0.11	1.32	8500	26.00		
CC 3010S(B)(C)12M	2Ball	12	3.30	0.11	1.32	8500	26.00		
CC 3010S(B)(C)12M	1B1S	12	3.30	0.11	1.32	8500	26.00		
CC 3010S(B)(C)3L	Sleeve	3.3	2.25	0.18	0.59	6000	18.90		
CC 3010S(B)(C)3L	2Ball	3.3	2.25	0.18	0.59	6000	18.90		
CC 3010S(B)(C)3L	1B1S	3.3	2.25	0.18	0.59	6000	18.90		
CC 3010S(B)(C)5L	Sleeve	5	2.25	0.14	0.70	6000	18.90		
CC 3010S(B)(C)5L	2Ball	5	2.25	0.14	0.70	6000	18.90		
CC 3010S(B)(C)5L	1B1S	5	2.25	0.14	0.70	6000	18.90		
CC 3010S(B)(C)12L	Sleeve	12	2.25	0.08	0.96	6000	18.90		
CC 3010S(B)(C)12L	2Ball	12	2.25	0.08	0.96	6000	18.90		
CC 3010S(B)(C)12L	1B1S	12	2.25	0.08	0.96	6000	18.90		