

DC BRUSHLESS FAN

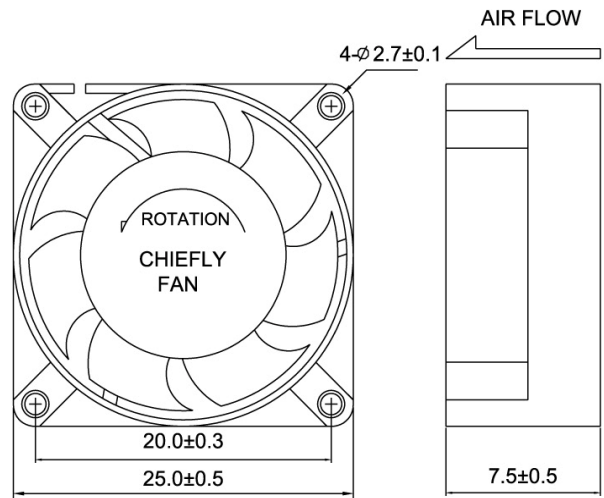
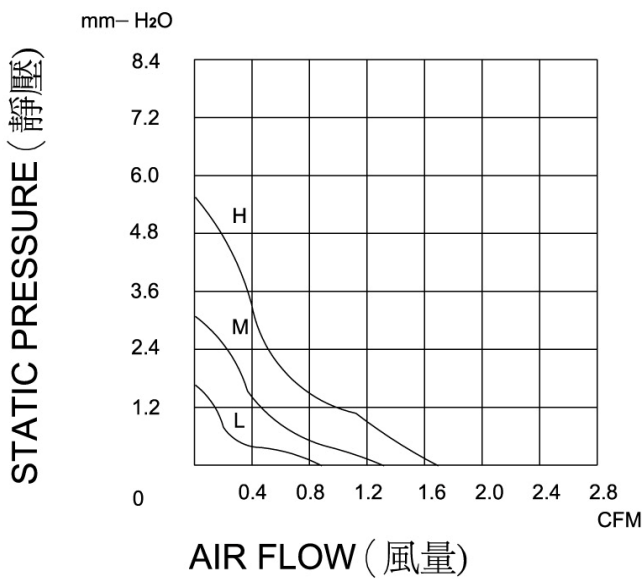


CC2507 SERIES

FEATURES

SIZE:	25x25x07 mm
BEARING TYPE:	BALL & SLEEVE BEARING
IMPELLER:	PLASTIC WITH FIBER GLASS FILLED UL 94V-0
FRAME:	PLASTIC WITH FIBER GLASS FILLED UL 94V-0
WEIGHT:	4.8(g)

PERFORMANCE & DIMENSIONS



Model No.	Bearing	Rated Voltage (VAC)	Air Flow (CFM)	Current (A)	Input Power (Watts)	Speed (RPM)	Noise Level (dBA)	Dimensions
								LxWxH (mm)
CC 2507S5H	Sleeve	5	1.68	0.13	0.65	13000	26.60	25x25x07
CC 2507SB5H	Ball	5	1.68	0.13	0.65	13000	26.60	
CC 2507S12H	Sleeve	12	1.68	0.06	0.72	13000	26.60	
CC 2507B12H	Ball	12	1.68	0.06	0.72	13000	26.60	
CC 2507S5M	Sleeve	5	1.24	0.09	0.45	10000	18.10	
CC 2507B5M	Ball	5	1.24	0.09	0.45	10000	18.10	
CC 2507S12M	Sleeve	12	1.24	0.05	0.60	10000	18.10	
CC 2507B12M	Ball	12	1.24	0.05	0.60	10000	18.10	
CC 2507S5L	Sleeve	5	0.84	0.06	0.30	7000	12.60	
CC 2507B5L	Ball	5	0.84	0.06	0.30	7000	12.60	
CC 2507S12L	Sleeve	12	0.84	0.04	0.48	7000	12.60	
CC 2507B12L	Ball	12	0.84	0.04	0.48	7000	12.60	