

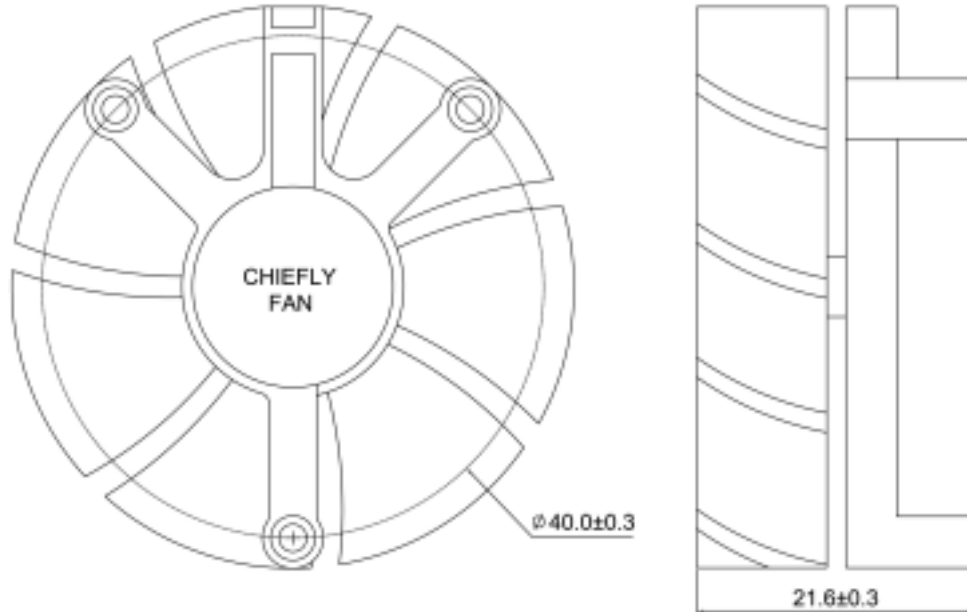
DC MODULE FAN

CCD-5015/1 SERIES

FEATURES

SIZE:	50x50x15 mm
BEARING TYPE:	BALL , SLEEVE & ONE BALL & ONE SLEEVE BEARING
IMPELLER:	PLASTIC WITH FIBER GLASS FILLED UL 94V-0
FRAME:	PLASTIC WITH FIBER GLASS FILLED UL 94V-0
WEIGHT:	19(g)

DIMENSIONS



Model No.	Bearing	Rated Voltage (VDC)	Air Flow (CFM)	Current (A)	Input Power (Watts)	Speed (RPM)	Noise Level (dBA)	Dimensions
								LxWxH (mm)
CCD 5015S12H/1	Sleeve	12	17.28	0.22	2.64	5500	36.42	50x50x15
CCD 5015B12H/1	2Ball	12	17.28	0.22	2.64	5500	36.42	
CCD 5015C12H/1	1B1S	12	17.28	0.22	2.64	5500	36.42	
CCD 5015S12M/1	Sleeve	12	15.67	0.19	2.28	5000	34.09	
CCD 5015B12M/1	2Ball	12	15.67	0.19	2.28	5000	34.09	
CCD 5015C12M/1	1B1S	12	15.67	0.19	2.28	5000	34.09	
CCD 5015S12L/1	Sleeve	12	13.94	0.15	1.80	4500	31.74	
CCD 5015B12L/1	2Ball	12	13.94	0.15	1.80	4500	31.74	
CCD 5015C12L/1	1B1S	12	13.94	0.15	1.80	4500	31.74	

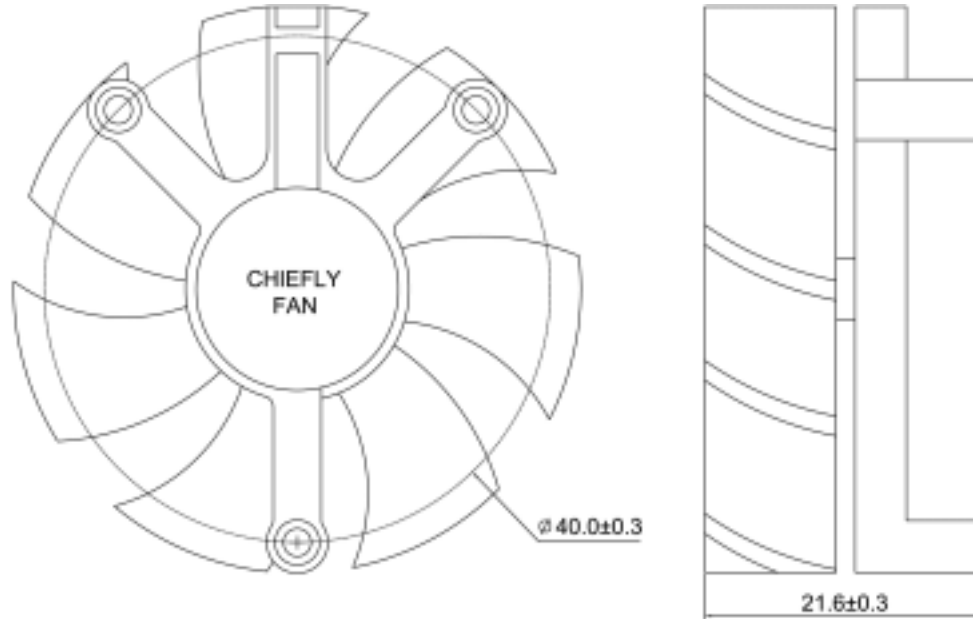
DC MODULE FAN

CCD-5015/2 SERIES

FEATURES

SIZE:	50x50x15 mm
BEARING TYPE:	BALL , SLEEVE & ONE BALL & ONE SLEEVE BEARING
IMPELLER:	PLASTIC WITH FIBER GLASS FILLED UL 94V-0
FRAME:	PLASTIC WITH FIBER GLASS FILLED UL 94V-0
WEIGHT:	19(g)

DIMENSIONS



Model No.	Bearing	Rated Voltage (VDC)	Air Flow (CFM)	Current (A)	Input Power (Watts)	Speed (RPM)	Noise Level (dBA)	Dimensions
								LxWxH (mm)
CCD 5015S12H/2	Sleeve	12	15.52	0.22	2.64	5500	32.06	50x50x15
CCD 5015B12H/2	2Ball	12	15.52	0.22	2.64	5500	32.06	
CCD 5015C12H/2	1B1S	12	15.52	0.22	2.64	5500	32.06	
CCD 5015S12M/2	Sleeve	12	14.23	0.19	2.28	5000	30.76	
CCD 5015B12M/2	2Ball	12	14.23	0.19	2.28	5000	30.76	
CCD 5015C12M/2	1B1S	12	14.23	0.19	2.28	5000	30.76	
CCD 5015S12L/2	Sleeve	12	12.79	0.15	1.80	4500	26.95	
CCD 5015B12L/2	2Ball	12	12.79	0.15	1.80	4500	26.95	
CCD 5015C12L/2	1B1S	12	12.79	0.15	1.80	4500	26.95	