

AC AXIAL FAN

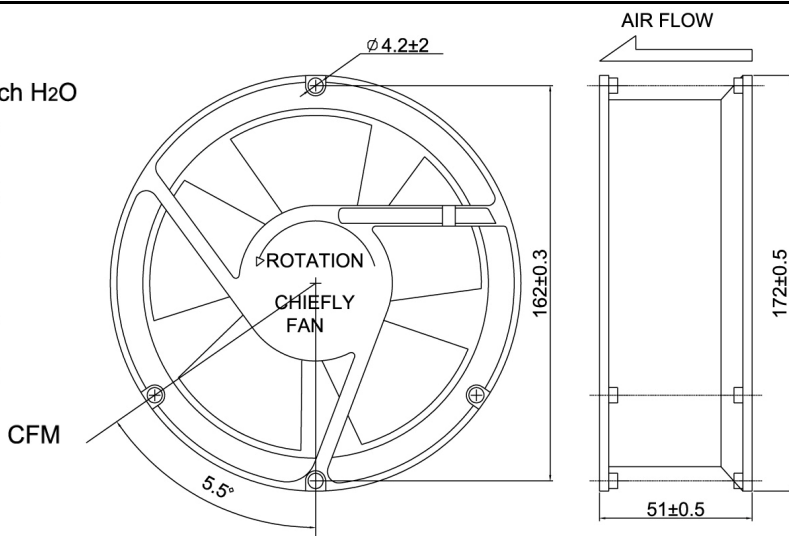
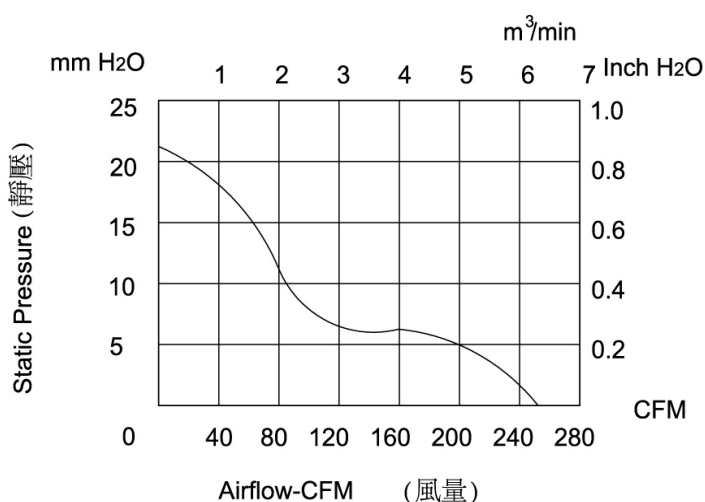


CC17051 SERIES

FEATURES

SIZE:	Ø172x51 mm
BEARING TYPE:	BALL BEARING
IMPELLER:	PLASTIC WITH FIBER GLASS FILLED UL 94V-0
FRAME:	DIE CAST ALUMINUM
WEIGHT:	1000(g)

PERFORMANCE & DIMENSIONS



Model No.	Bearing	Rated Voltage (VAC)	Freq (Hz)	Current (A)	Input Power (Watts)	Speed (RPM)	Air Flow (CFM)	Noise Level (dBA)
CC 17051B110H	Ball	110/120	50/60	0.22/0.23	25/27	2800/3200	203/239	51/58
CC 17051B220H	Ball	220/240	50/60	0.11/0.11	25/26	2800/3200	205/230	51/58