

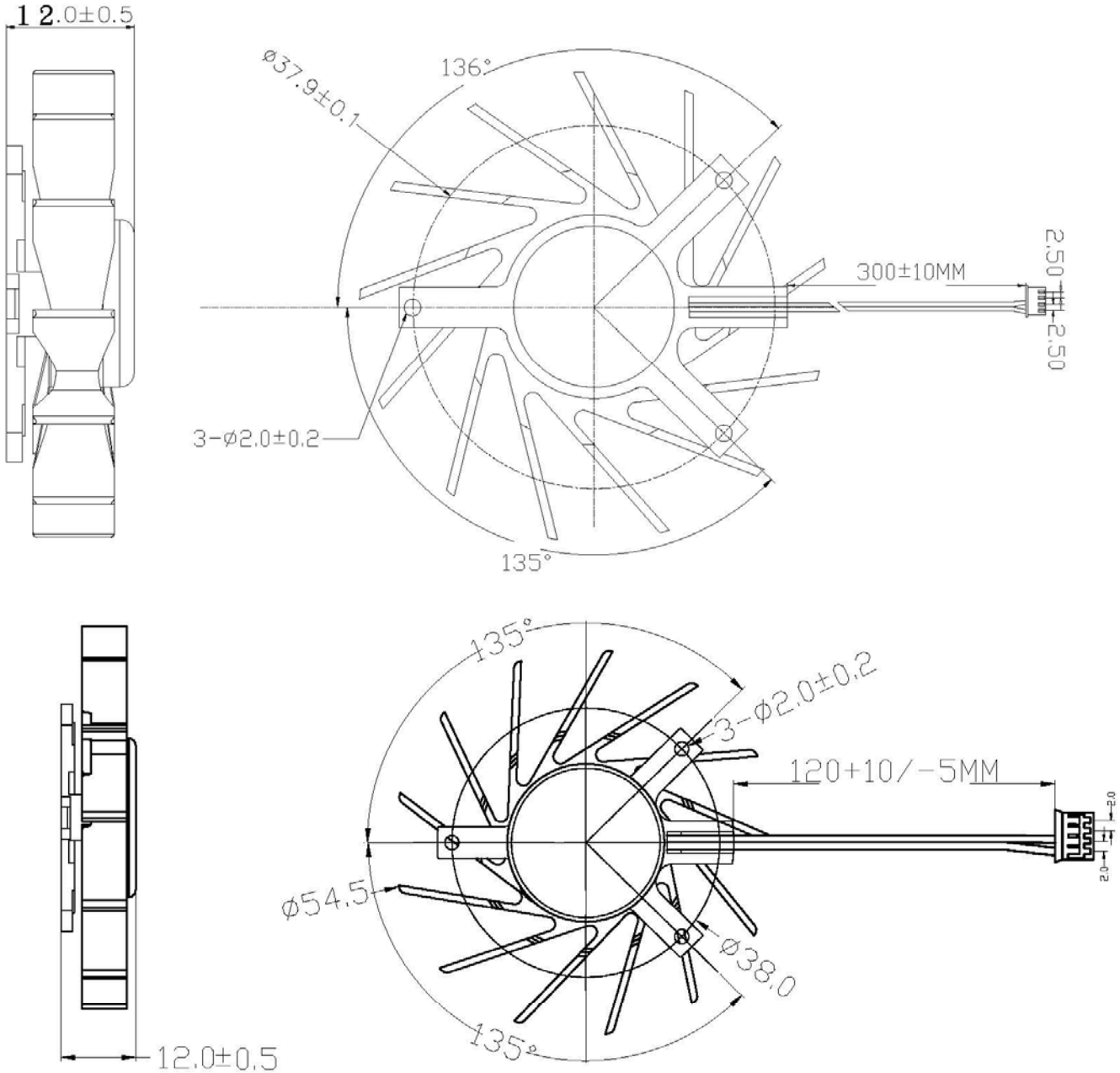
DC MODULE FAN

CCD-6010 SERIES

FEATURES

SIZE:	60x60x10 mm
BEARING TYPE:	BALL , SLEEVE & ONE BALL & ONE SLEEVE BEARING
IMPELLER:	PLASTIC WITH FIBER GLASS FILLED UL 94V-0
FRAME:	PLASTIC WITH FIBER GLASS FILLED UL 94V-0
WEIGHT:	13.9(g)

DIMENSIONS



Model No.	Bearing	Rated Voltage (VDC)	Air Flow (CFM)	Current (A)	Input Power (Watts)	Speed (RPM)	Noise Level (dBA)	Dimensions
								LxWxH (mm)
CCD 6010S12H	Sleeve	12	3.21	0.26	2.80	3400	40.20	55x55x12
CCD 6010B12H	2Ball	12	3.21	0.26	2.80	3400	40.20	
CCD 6010C12H	1B1S	12	3.21	0.26	2.80	3400	40.20	