

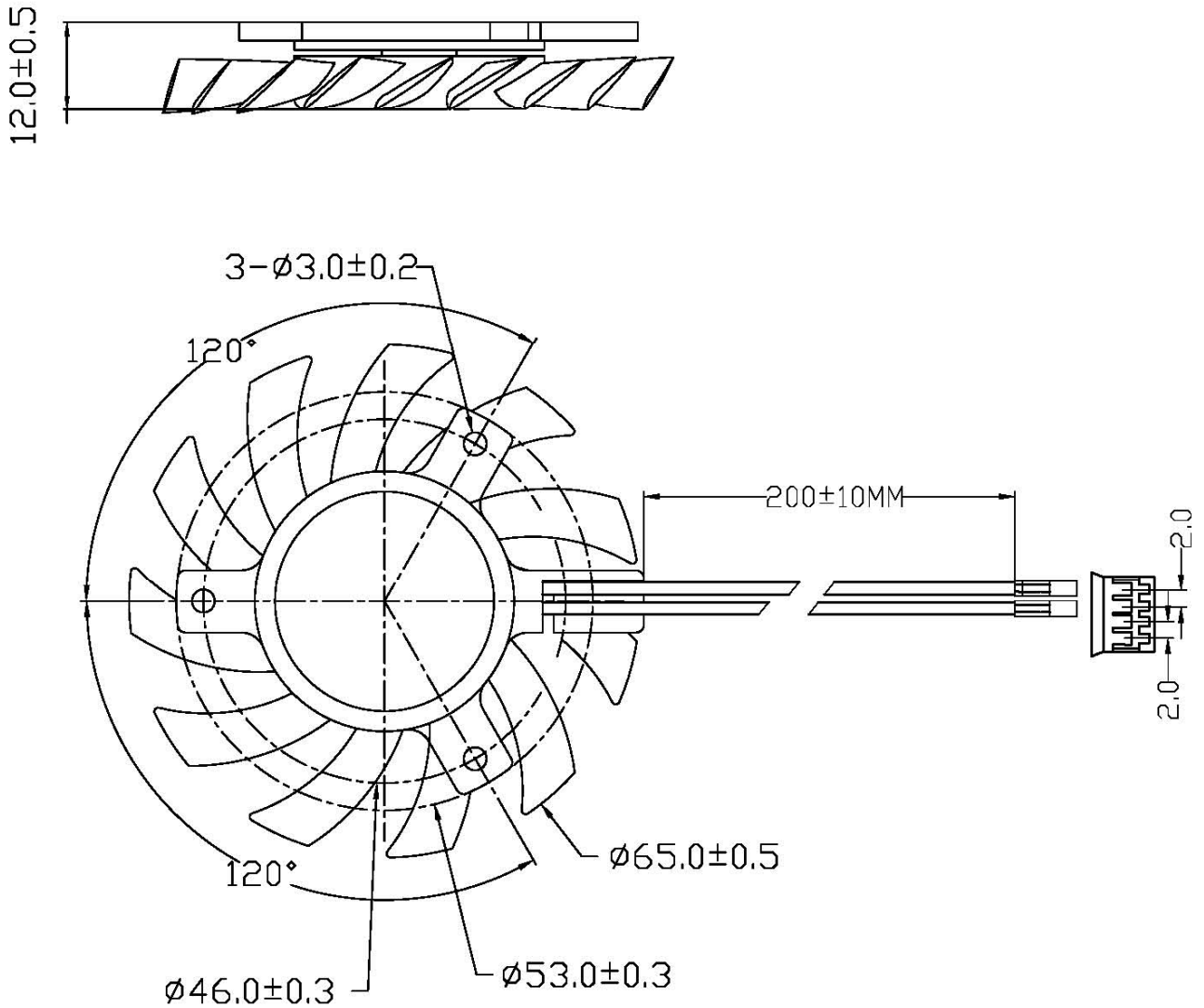
DC MODULE FAN

CCD-7010 SERIES

FEATURES

| | |
|---------------|---|
| SIZE: | 70x70x12 mm |
| BEARING TYPE: | BALL , SLEEVE & ONE BALL & ONE SLEEVE BEARING |
| IMPELLER: | PLASTIC WITH FIBER GLASS FILLED UL 94V-0 |
| FRAME: | PLASTIC WITH FIBER GLASS FILLED UL 94V-0 |
| WEIGHT: | 20(g) |

DIMENSIONS



| Model No. | Bearing | Rated Voltage (VDC) | Air Flow (CFM) | Current (A) | Input Power (Watts) | Speed (RPM) | Noise Level (dBA) | Dimensions |
|--------------|---------|---------------------|----------------|-------------|---------------------|-------------|-------------------|------------|
| | | | | | | | | LxWxH (mm) |
| CCD 7010S12M | Sleeve | 12 | 17.48 | 0.20 | 2.60 | 3200 | 29.81 | 70x70x12 |
| CCD 7010B12M | 2Ball | 12 | 17.48 | 0.20 | 2.60 | 3200 | 29.81 | |
| CCD 7010C12M | 1B1S | 12 | 17.48 | 0.20 | 2.60 | 3200 | 29.81 | |