

# DC BRUSHLESS FAN

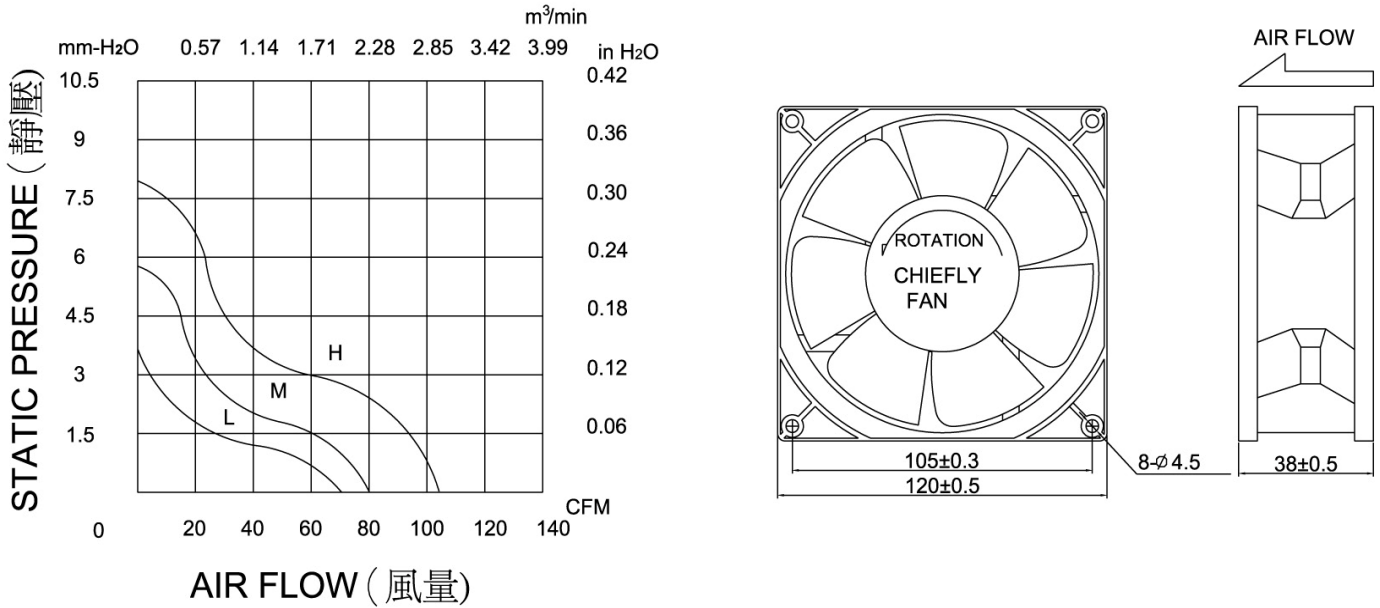
## CC12038 SERIES

### FEATURES



SIZE:	120×120×38 mm
BEARING TYPE:	BALL , SLEEVE & ONE BALL & ONE SLEEVE BEARING
IMPELLER:	PLASTIC WITH FIBER GLASS FILLED UL 94V-0
FRAME:	PLASTIC WITH FIBER GLASS FILLED UL 94V-0
WEIGHT:	266(g)

### PERFORMANCE & DIMENSIONS



Model No.	Bearing	Rated Voltage (VAC)	Air Flow (CFM)	Current (A)	Input Power (Watts)	Speed (RPM)	Noise Level (dBA)	Dimensions	
								LxWxH (mm)	
CC 12038S12H	Sleeve	12	121	0.60	7.00	3000	45	120×120×38	
CC 12038B12H	2Ball	12	121	0.60	7.00	3000	45		
CC 12038C12H	1B1S	12	121	0.60	7.00	3000	45		
CC 12038S24H	Sleeve	24	121	0.36	8.60	3000	45		
CC 12038B24H	2Ball	24	121	0.36	8.60	3000	45		
CC 12038C24H	1B1S	24	121	0.36	8.60	3000	45		
CC 12038S48H	Sleeve	48	121	0.28	13.44	3000	45		
CC 12038B48H	2Ball	48	121	0.28	13.44	3000	45		
CC 12038C48H	1B1S	48	121	0.28	13.44	3000	45		
CC 12038S12M	Sleeve	12	107	0.45	5.40	2500	33		
CC 12038B12M	2Ball	12	107	0.45	5.40	2500	33		
CC 12038C12M	1B1S	12	107	0.45	5.40	2500	33		
CC 12038S24M	Sleeve	24	107	0.28	6.72	2500	33		
CC 12038B24M	2Ball	24	107	0.28	6.72	2500	33		
CC 12038C24M	1B1S	24	107	0.28	6.72	2500	33		
CC 12038S48M	Sleeve	48	107	0.20	9.60	2500	33		
CC 12038B48M	2Ball	48	107	0.20	9.60	2500	33		
CC 12038C48M	1B1S	48	107	0.20	9.60	2500	33		
CC 12038S12L	Sleeve	12	95	0.28	3.36	2000	26		
CC 12038B12L	2Ball	12	95	0.28	3.36	2000	26		
CC 12038C12L	1B1S	12	95	0.28	3.36	2000	26		
CC 12038S24L	Sleeve	24	95	0.14	3.36	2000	26		
CC 12038B24L	2Ball	24	95	0.14	3.36	2000	26		
CC 12038C24L	1B1S	24	95	0.14	3.36	2000	26		
CC 12038S48L	Sleeve	48	95	0.13	6.24	2000	26		
CC 12038B48L	2Ball	48	95	0.13	6.24	2000	26		
CC 12038C48L	1B1S	48	95	0.13	6.24	2000	26		