

# EC FAN

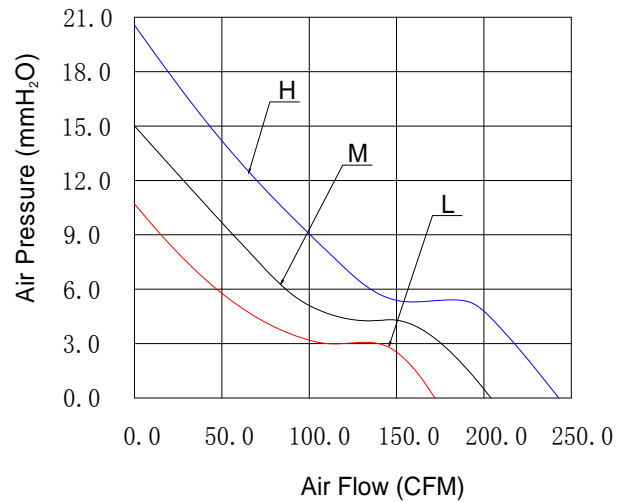
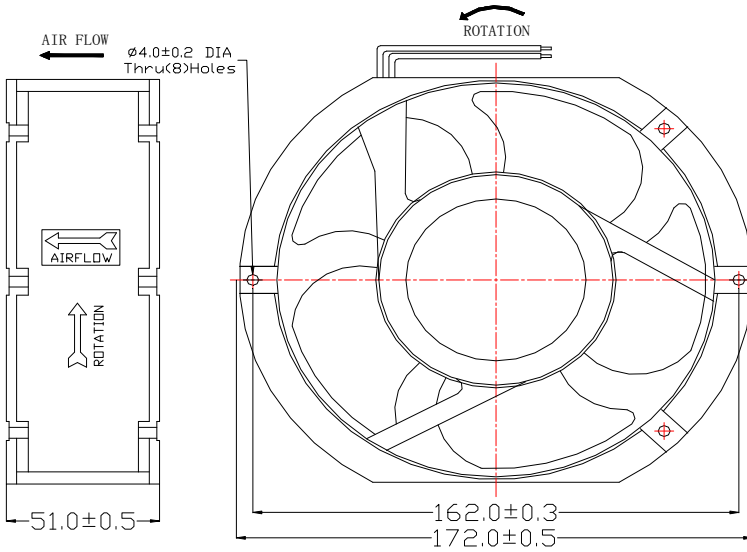


## CCE-17251 SERIES

### FEATURES

SIZE:	172x150x52 mm
BEARING TYPE:	2 BALL BEARING
IMPELLER:	PLASTIC WITH FIBER GLASS FILLED UL 94V-0
FRAME:	DIE CAST ALUMINUM
WEIGHT:	646(g)

### PERFORMANCE & DIMENSIONS



Model No.	Bearing	Rated Voltage (VAC)	Freq (Hz)	Static Pressure (mmH2O)	Input Power (Watts)	Speed (RPM)	Air Flow (CFM)	Noise Level (dBA)
CCE 17251BM	2 BALL	80-264	50/60	15	20	3000	205	54
CCE 17251BL	2 BALL	80-264	50/60	10.6	12	2500	170	49