

EC FAN

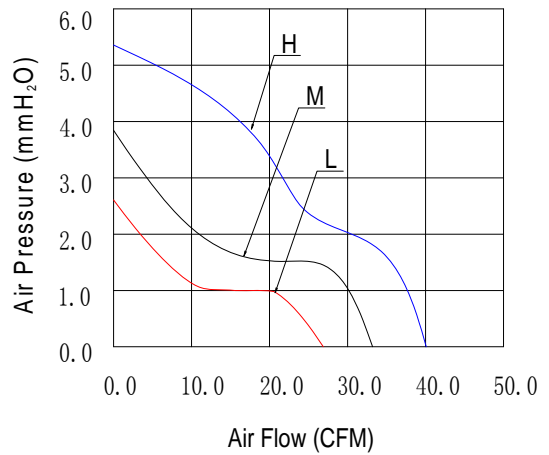
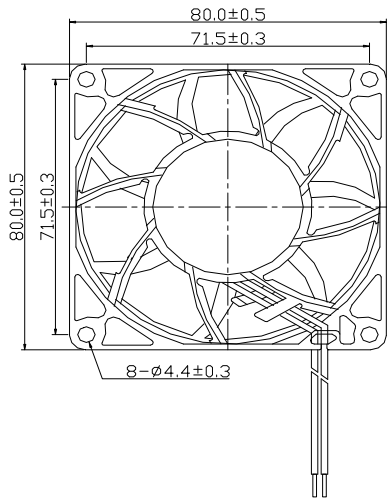
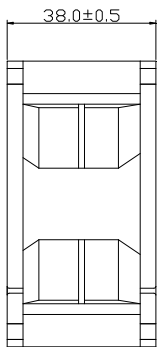


CCE-8038 SERIES

FEATURES

SIZE:	80x80x38 mm
BEARING TYPE:	2 BALL BEARING
IMPELLER:	PLASTIC WITH FIBER GLASS FILLED UL 94V-0
FRAME:	PLASTIC WITH FIBER GLASS FILLED UL 94V-0
WEIGHT:	155(g)

PERFORMANCE & DIMENSIONS



Model No.	Bearing	Rated Voltage (VAC)	Freq (Hz)	Static Pressure (mmH ₂ O)	Input Power (Watts)	Speed (RPM)	Air Flow (CFM)	Noise Level (dBA)
CCE 8038BH	2 BALL	80-264	50/60	5.3	4	3000	40.1	37
CCE 8038BM	2 BALL	80-264	50/60	3.7	3.5	2500	33.3	32
CCE 8038BL	2 BALL	80-264	50/60	2.4	3	2000	26.1	26