

DC BRUSHLESS FAN

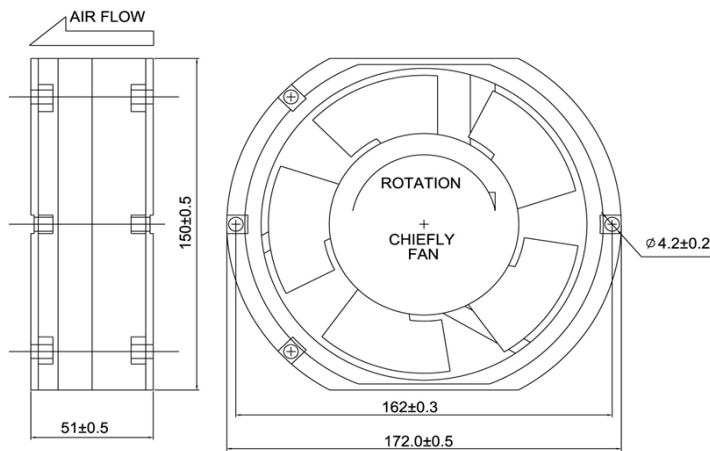


CC-17251 SERIES

FEATURES

SIZE:	172x150x51 mm
BEARING TYPE:	BALL BEARING
IMPELLER:	PLASTIC WITH FIBER GLASS FILLED UL 94V-0
FRAME:	DIE CAST ALUMINUM
WEIGHT:	760(g)

PERFORMANCE & DIMENSIONS



Model No.	Bearing	Rated Voltage (VDC)	Air Flow (CFM)	Current (A)	Input Power (Watts)	Speed (RPM)	Noise Level (dBA)	Dimensions
								LxWxH (mm)
CC 17251B24HH	2Ball	24	296	1.50	36.00	4000	74.40	172x150x51
CC 17251B48HH	2Ball	48	296	0.80	38.40	4000	74.40	
CC 17251B24H	2Ball	24	266	1.00	24.00	3600	67.00	
CC 17251B48H	2Ball	48	266	0.60	28.80	3600	67.00	
CC 17251B24M	2Ball	24	222	0.60	14.40	3000	55.80	
CC 17251B48M	2Ball	48	222	0.35	16.80	3000	55.80	
CC 17251B24L	2Ball	24	185	0.40	9.60	2500	46.50	
CC 17251B48L	2Ball	48	185	0.25	12.00	2500	46.50	